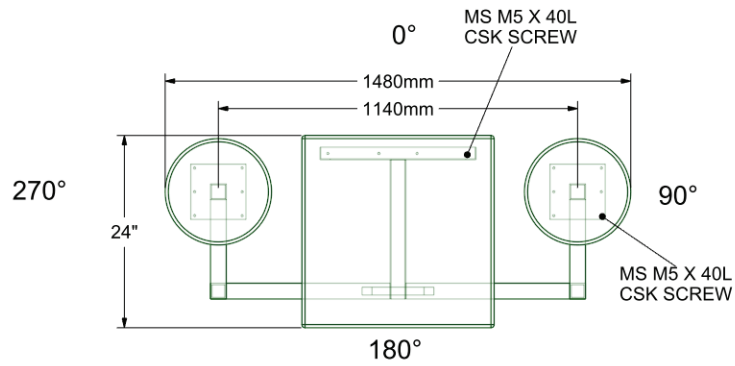
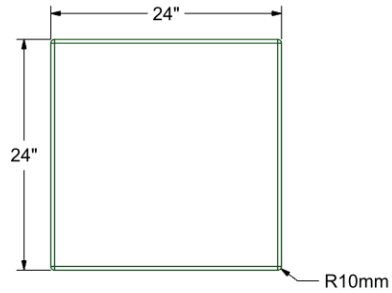


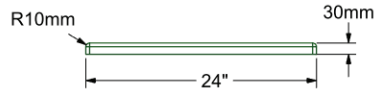
# OVERALL VIEW



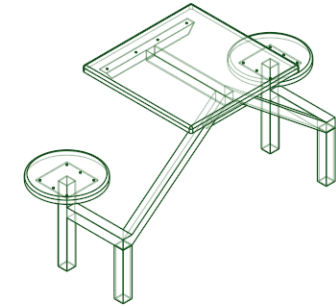
**TOP VIEW  
(HIDDEN LINE)**



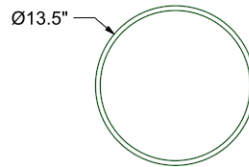
**TOP VIEW  
FRP TABLE**



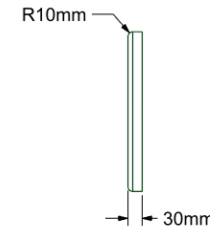
**FRONT VIEW  
FRP TABLE**



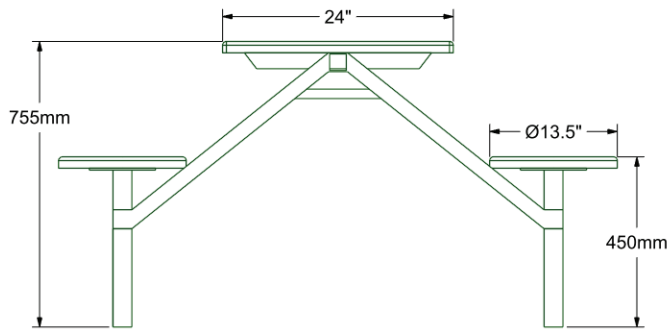
**3D VIEW  
(HIDDEN LINE)**



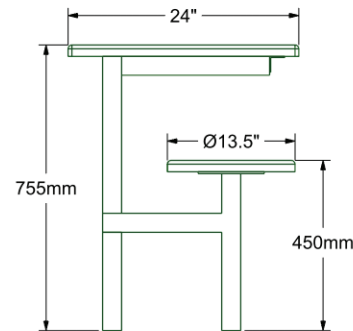
**TOP VIEW  
FRP KERUSI**



**SIDE VIEW  
FRP KERUSI**



**180° VIEW**



**90° VIEW**

REMARK:		
SO NO.		
OVERALL.		
TOP COVER THICKNESS.		
BODY THICKNESS.		
BASE COVER THICKNESS.		
MATERIAL :		
QTY:		
COLOR :		
PRODUCT WEIGHT. 40.21 KG		
REV	DATE	DESCRIPTION

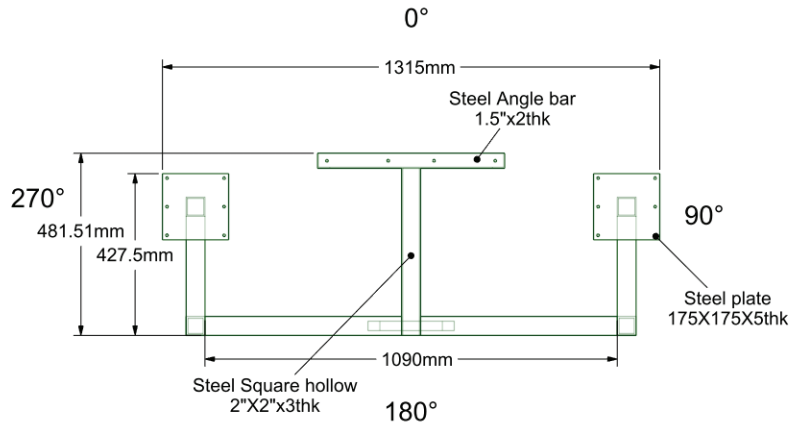
**JONCAN**™  
GRP SPECIALIST

JONCAN COMPOSITE SDN BHD  
No. 26, Jalan Selatan 3/3,  
Taman Perindustrian Ringan Pulai,  
81300 Skudai, Johor, Malaysia  
Sales Inquiry: +6012- 713 0306  
General Inquiry: +6012- 699 0306

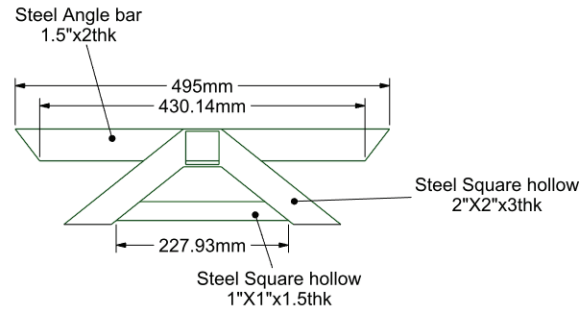
DWG NO: DWG-A1-2 SEATER  
DATE : 31/7/2023  
APPROVED BY: (ASSIGNED) | SIZE: A2

SHT:	REV:
1/2	0

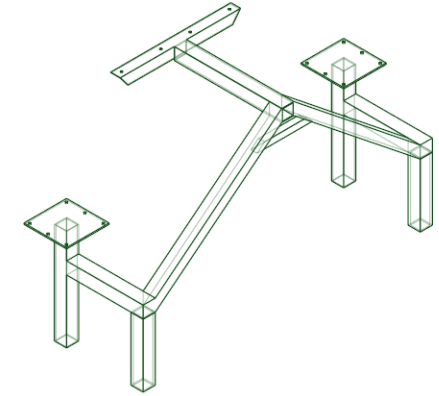
# 2-SEATER



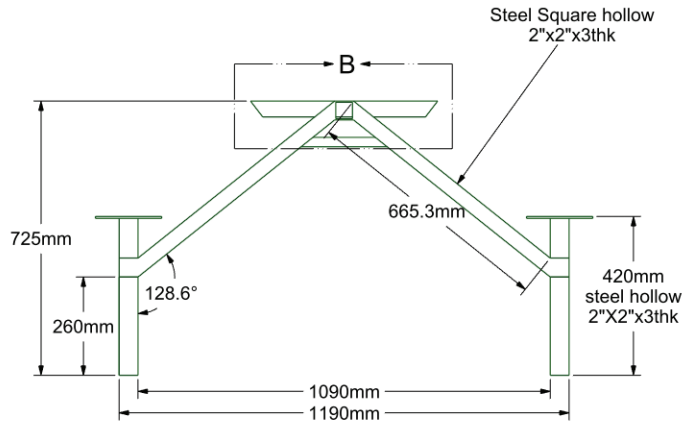
**TOP VIEW  
(HIDDEN LINE)**



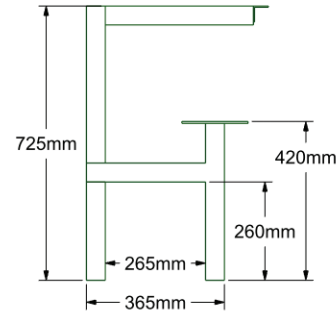
**DETAIL B**



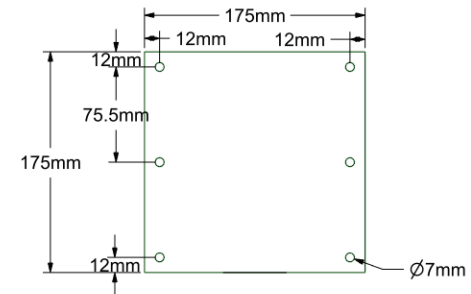
**3D VIEW  
(HIDDEN LINE)**



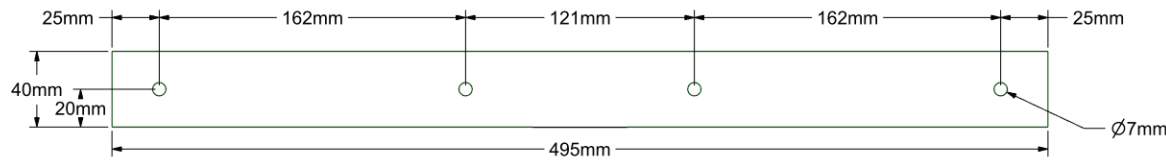
**180° VIEW**



**90° VIEW**



**TOP VIEW  
(5MMTHK STEEL PLATE)**



**TOP VIEW  
STEEL ANGLE BAR**

REMARK:		
SO NO.		
OVERALL: 610L X 1480 X 755MMH		
TOP COVER THICKNESS.		
BODY THICKNESS.		
BASE COVER THICKNESS.		
MATERIAL :		
QTY:		
COLOR :		
PRODUCT WEIGHT. 40.21 KG		
REV	DATE	DESCRIPTION

**JONCAN**™  
GRP SPECIALIST

JONCAN COMPOSITE SDN BHD  
No. 26, Jalan Selatan 3/3,  
Taman Perindustrian Ringan Pulau,  
81300 Skudai, Johor, Malaysia  
Sales Inquiry: +6012- 713 0306  
General Inquiry: +6012- 699 0306

DWG NO: DWG-A1-2 SEATER  
DATE : 31/7/2023  
APPROVED BY: (ASSIGNED) | SIZE: A2

SHT:	REV:
2/2	0