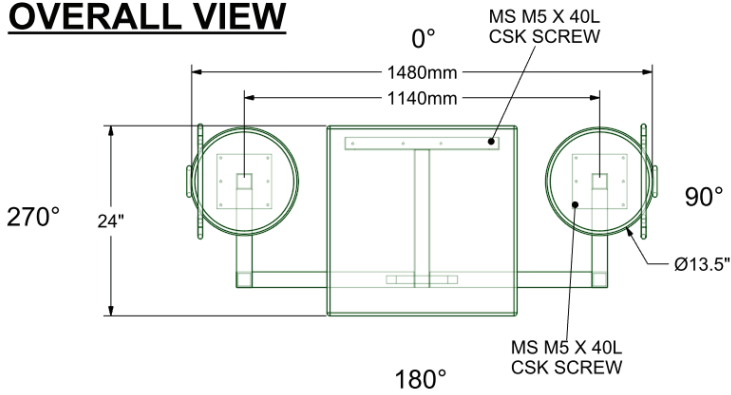
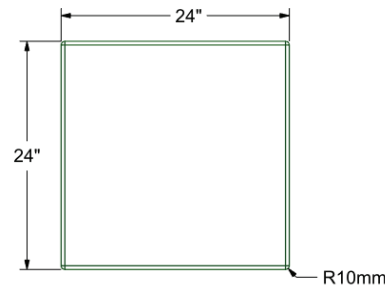


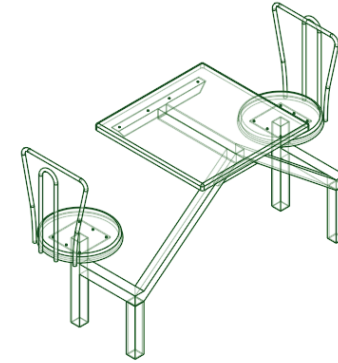
OVERALL VIEW



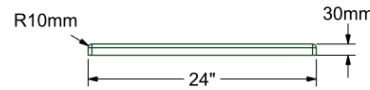
**TOP VIEW
(HIDDEN LINE)**



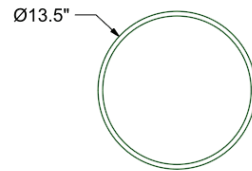
**TOP VIEW
FRP TABLE**



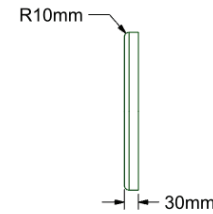
**3D VIEW
(HIDDEN LINE)**



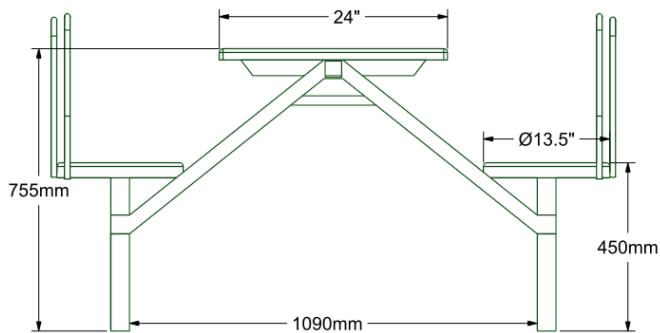
**FRONT VIEW
FRP TABLE**



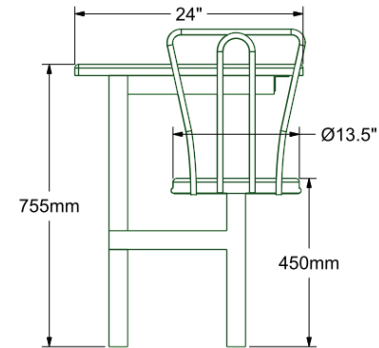
**TOP VIEW
FRP KERUSI**



**SIDE VIEW
FRP KERUSI**



180° VIEW



90° VIEW

REMARK:		
SO NO.		
OVERALL: 610L X 1480W X 755MMH		
TOP COVER THICKNESS.		
BODY THICKNESS.		
BASE COVER THICKNESS.		
MATERIAL :		
QTY:		
COLOR :		
PRODUCT WEIGHT: 41.54 KG		
REV	DATE	DESCRIPTION

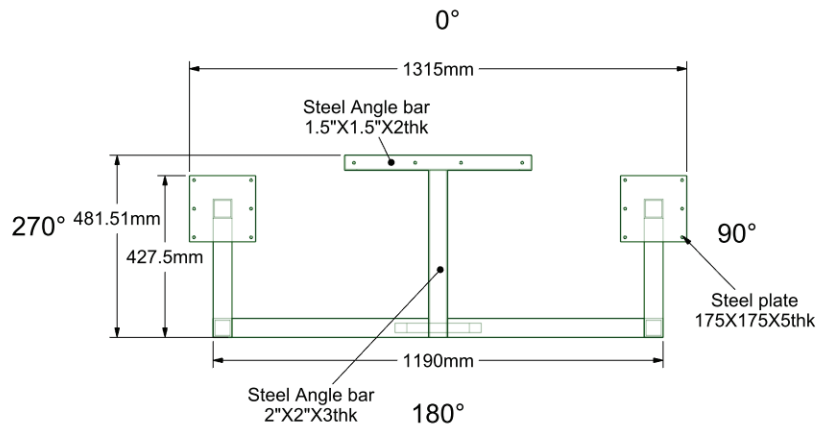
JONCAN™
GRP SPECIALIST

JONCAN COMPOSITE SDN BHD
No. 26, Jalan Selatan 3/3,
Taman Perindustrian Ringan Pulau,
81300 Skudai, Johor, Malaysia
Sales Inquiry: +6012- 713 0306
General Inquiry: +6012- 699 0306

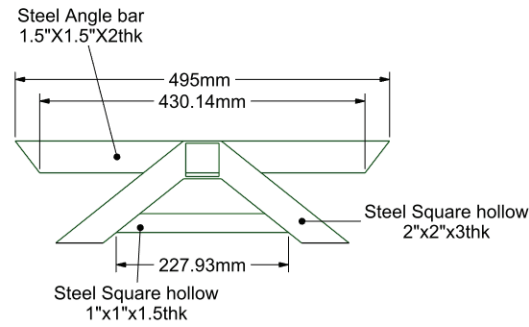
DWG NO: DWG-A2-2 SEATER
DATE : 31/7/2023
APPROVED BY: (ASSIGNED) SIZE: A2

SHT:	REV:
1/2	0

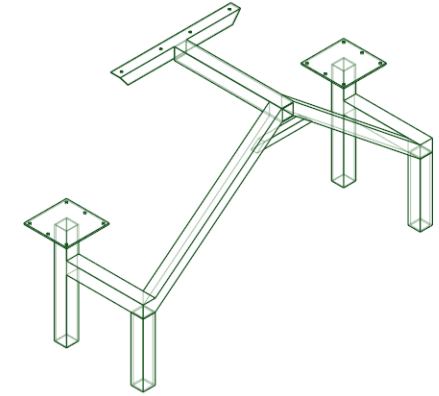
2-SEATER



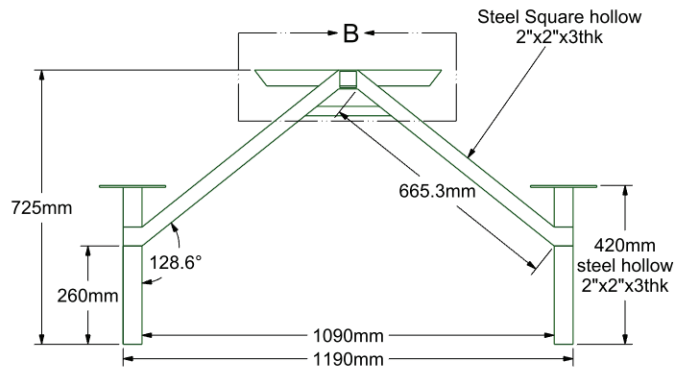
**TOP VIEW
(HIDDEN LINE)**



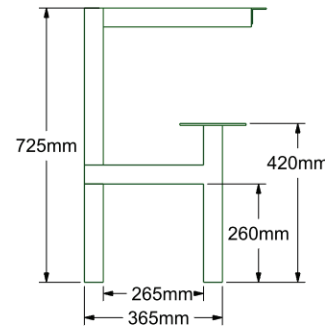
DETAIL B



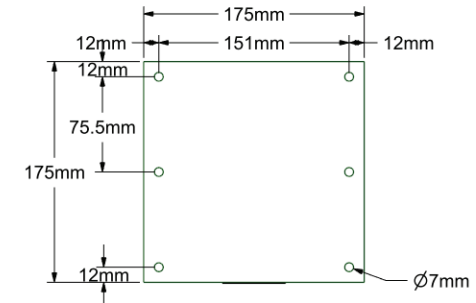
**3D VIEW
(HIDDEN LINE)**



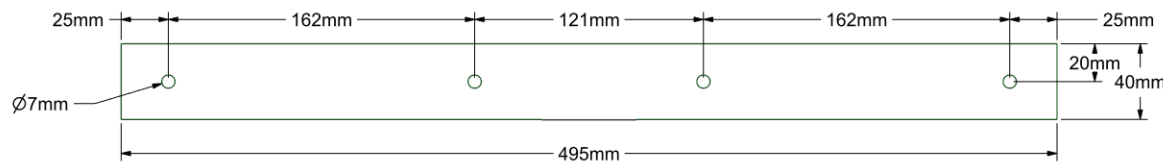
180° VIEW



90° VIEW



**TOP VIEW
(5MMTHK STEEL
PLATE)**



**TOP VIEW
STEEL ANGLE BAR**

REMARK:		
SO NO.		
OVERALL: 610L X 1477.5W X 755MMH		
TOP COVER THICKNESS.		
BODY THICKNESS.		
BASE COVER THICKNESS.		
MATERIAL :		
QTY:		
COLOR :		
PRODUCT WEIGHT. 41.54 KG		
REV	DATE	DESCRIPTION

JONCAN™
GRP SPECIALIST

JONCAN COMPOSITE SDN BHD
No. 26, Jalan Selatan 3/3,
Taman Perindustrian Ringan Pulai,
81300 Skudai, Johor, Malaysia
Sales Inquiry: +6012- 713 0306
General Inquiry: +6012- 699 0306

DWG NO: DWG-A2-2 SEATER		SHT:	REV:
DATE : 31/7/2023		2/2	0
APPROVED BY: (ASSIGNED)		SIZE: A2	