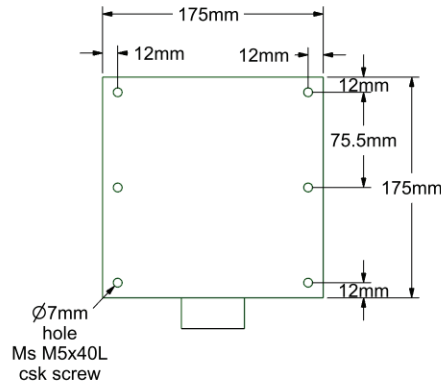
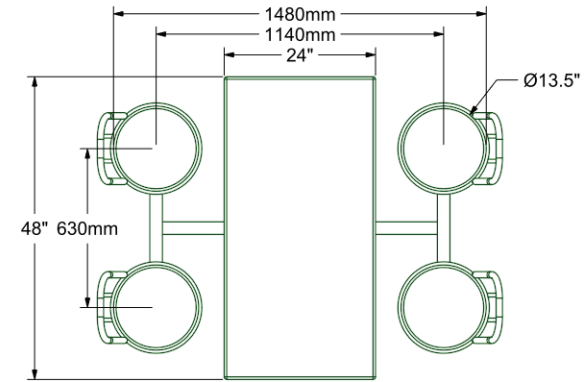


TOP VIEW

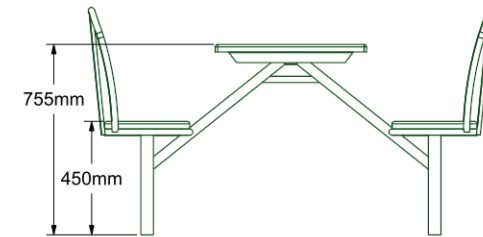


DETAIL A
175x175x5thk

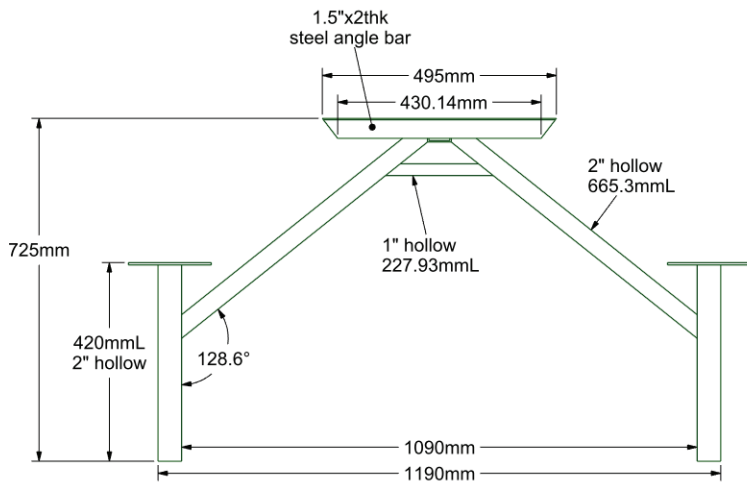


TOP VIEW

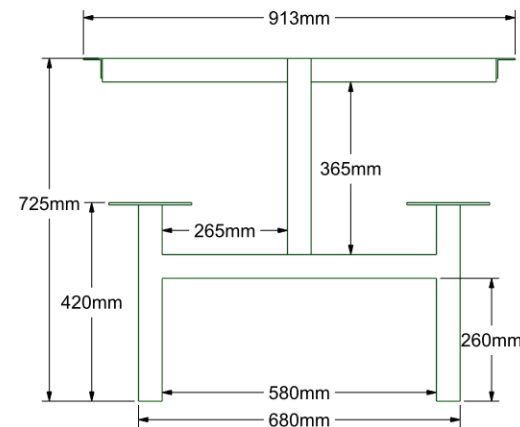
REMARK
48"X24"X30mm TABLE
Ø13.5"X30mm STOOL



FRONT VIEW



FRONT VIEW



SIDE VIEW

| | | |
|-----------------------|------|-------------|
| REMARK: | | |
| SO NO. | | |
| OVERALL. | | |
| TOP COVER THICKNESS. | | |
| BODY THICKNESS. | | |
| BASE COVER THICKNESS. | | |
| MATERIAL : | | |
| QTY: | | |
| COLOR : | | |
| PRODUCT WEIGHT. | | |
| 80.5 KG | | |
| REV | DATE | DESCRIPTION |
| | | |
| | | |
| | | |
| | | |
| | | |

JONCAN™
GRP SPECIALIST

JONCAN COMPOSITE SDN BHD
No. 26, Jalan Selatan 3/3,
Taman Perindustrian Ringan Pulai,
81300 Skudai, Johor, Malaysia
Sales Inquiry: +6012- 713 0306
General Inquiry: +6012- 699 0306

DWG NO: B2-4 seater
DATE : 31/7/2023
APPROVED BY: (ASSIGNED) | SIZE: A2

| | |
|------|------|
| SHT: | REV: |
| 1/1 | |