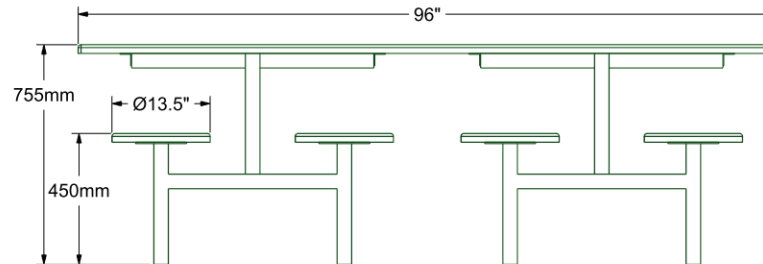
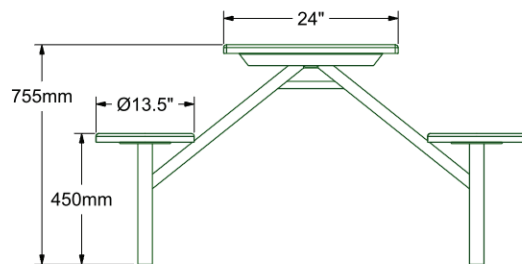
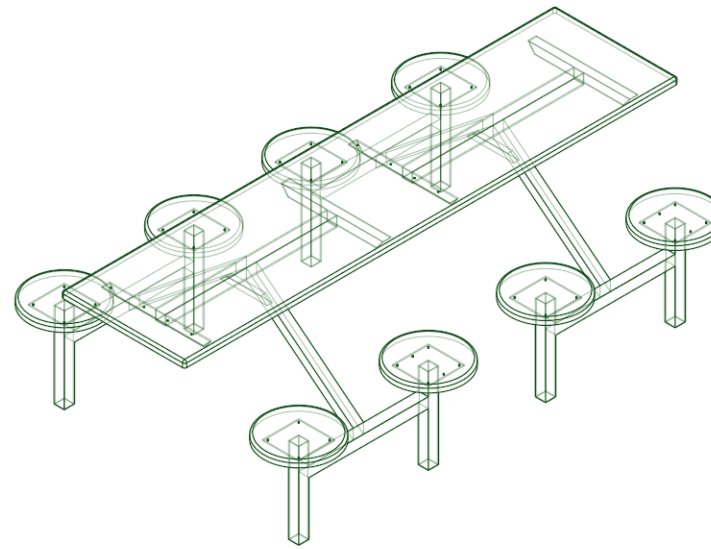
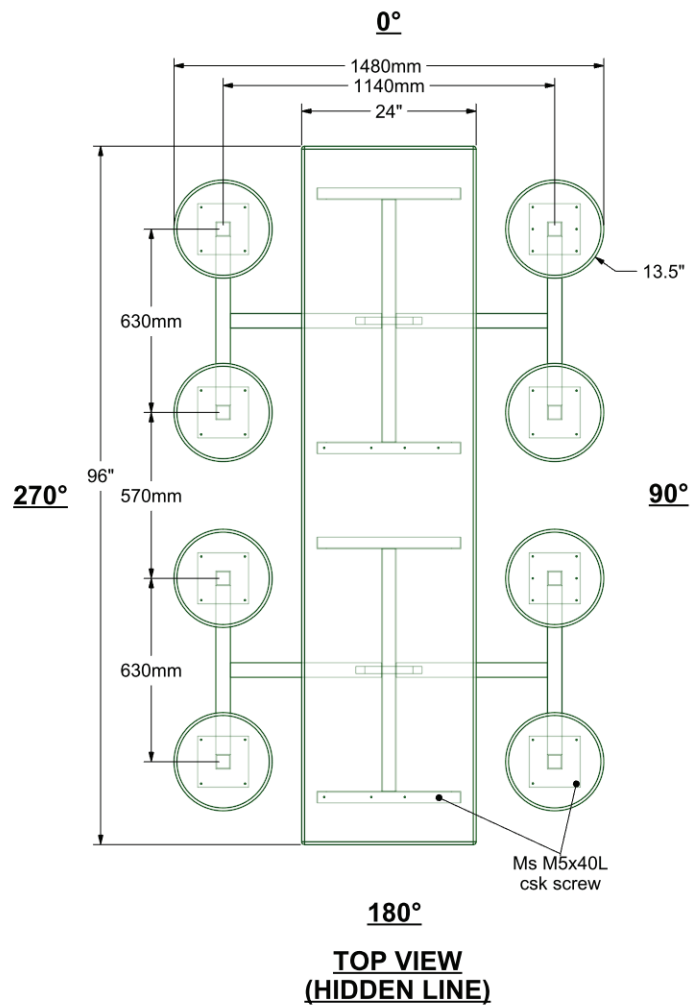


REMARK
 24"X96"X30mm TABLE
 Ø13.5"X30mm STOOL



REMARK:		
SO NO.		
OVERALL.		
TOP COVER THICKNESS.		
BODY THICKNESS.		
BASE COVER THICKNESS.		
MATERIAL :		
QTY:		
COLOR :		
PRODUCT WEIGHT.		
144.2 KG		
REV	DATE	DESCRIPTION

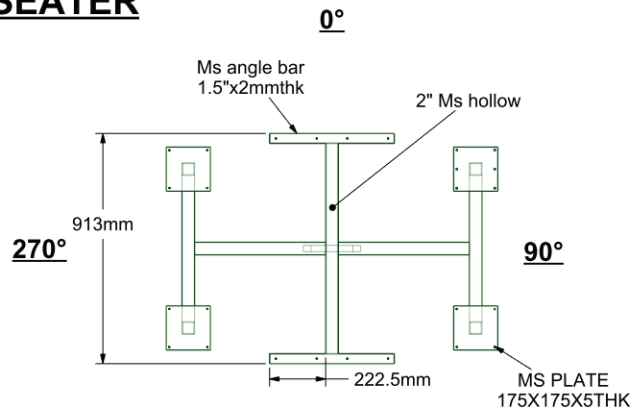
JONCAN™
 GRP SPECIALIST

JONCAN COMPOSITE SDN BHD
 No. 26, Jalan Selatan 3/3,
 Taman Perindustrian Ringan Pulai,
 81300 Skudai, Johor, Malaysia
 Sales Inquiry: +6012- 713 0306
 General Inquiry: +6012- 699 0306

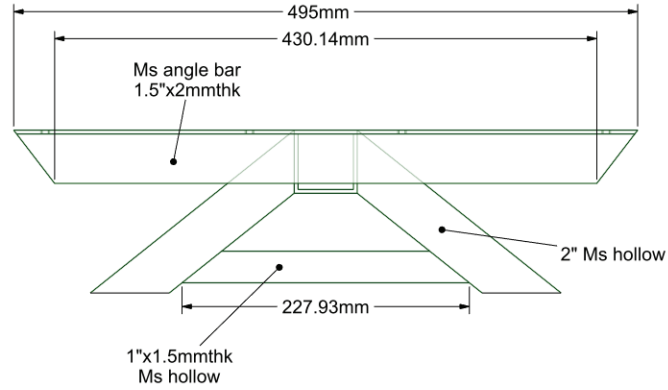
DWG NO: DWG-D6-8 SEATER
 DATE : 1/8/2023
 APPROVED BY: (ASSIGNED) | SIZE: A2

SHT:	REV:
1/2	0

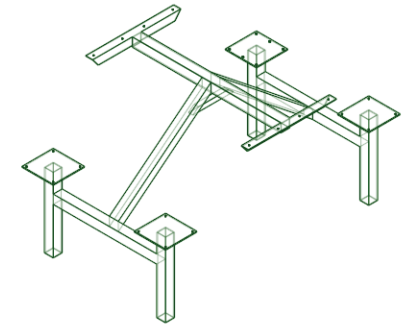
4-SEATER



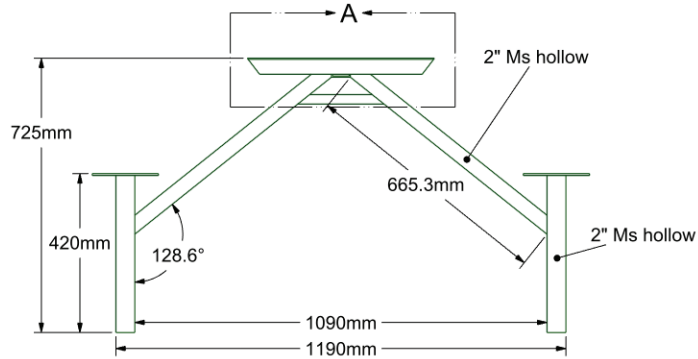
180°
TOP VIEW
(HIDDEN LINE)



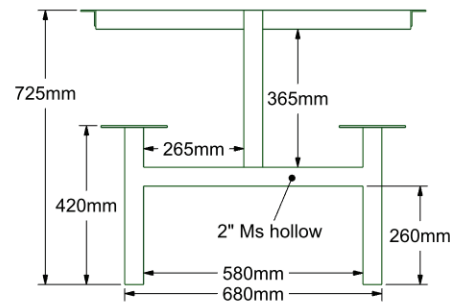
DETAIL A
(HIDDEN LINE)



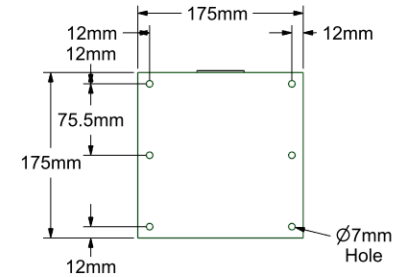
3D VIEW
(HIDDEN LINE)



180° VIEW

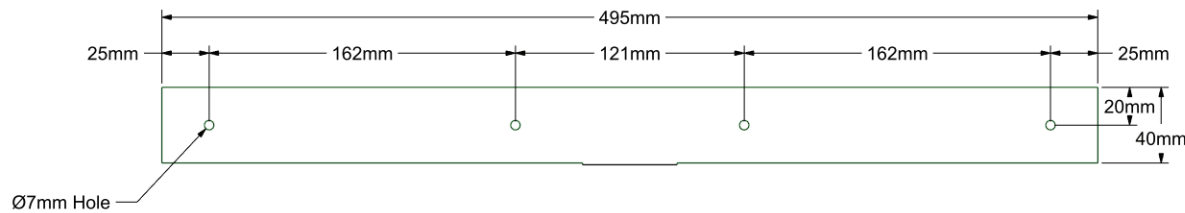


90° VIEW



FRONT VIEW
(5MMTHK MS PLATE)

REMARK:		
Overall Size:		
MATERIAL :		
SO NO:		
REF NO:		
QTY:		
COLOR :		
± (mm) :		
REMARK:		
REV	DATE	DESCRIPTION



STEEL ANGLE BAR
DETAIL

JONCAN™
GRP SPECIALIST

JONCAN COMPOSITE SDN BHD
No. 26, Jalan Selatan 3/3,
Taman Perindustrian Ringan Pulai,
81300 Skudai, Johor, Malaysia
Sales Inquiry: +6012- 713 0306
General Inquiry: +6012- 699 0306

DWG NO: DWG-D6-8 SEATER
DATE : 1/8/2023
APPROVED BY: (ASSIGNED) | SIZE: A2

SHT:	REV:
2/2	0