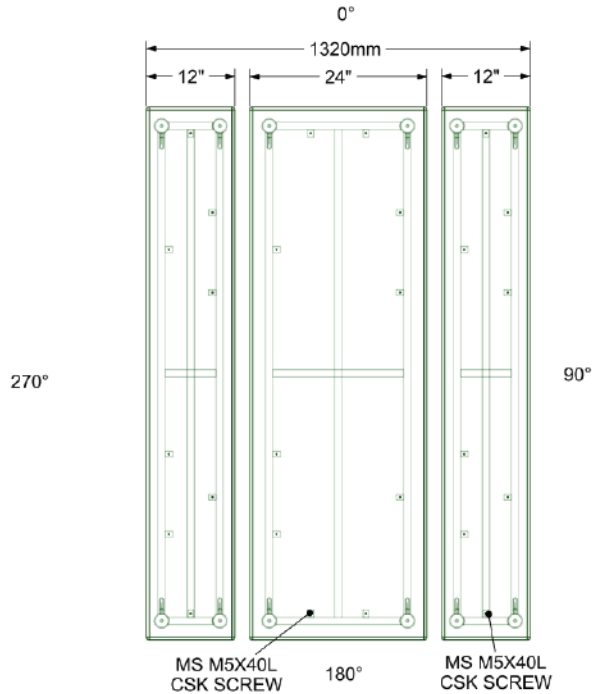
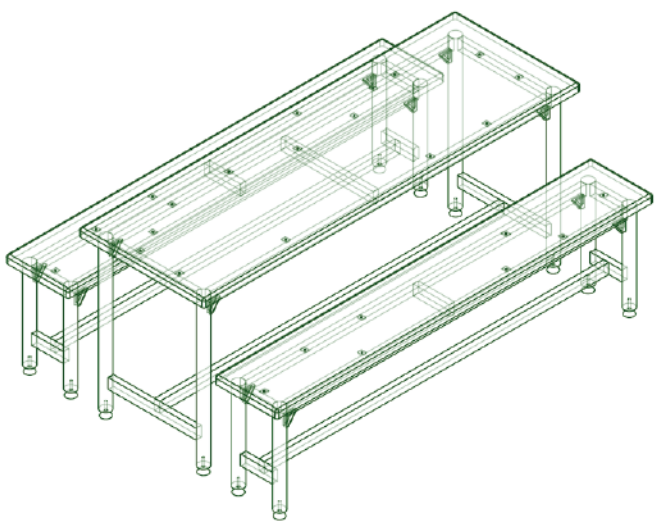


OVERALL VIEW

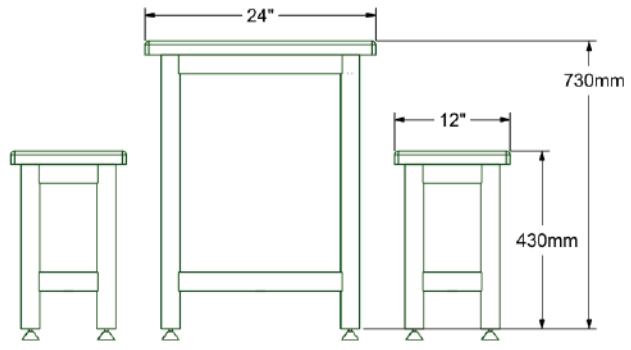
REMARK
 24"X72"X30mm TABLE
 12"X72"X30mm BENCH



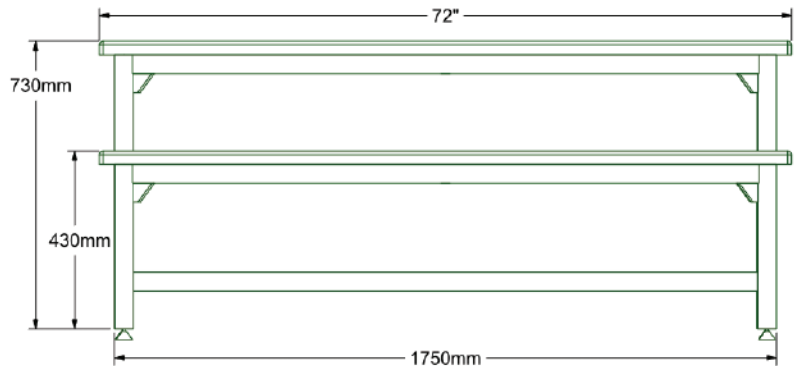
**TOP VIEW
 (HIDDEN LINE)**



**3D VIEW
 (HIDDEN LINE)**



180° VIEW



90° VIEW

REMARK:		
Overall Size:		
MATERIAL :		
SO NO:		
REF NO:		
QTY:		
COLOR :		
± (mm) :		
REMARK:		
REV	DATE	DESCRIPTION

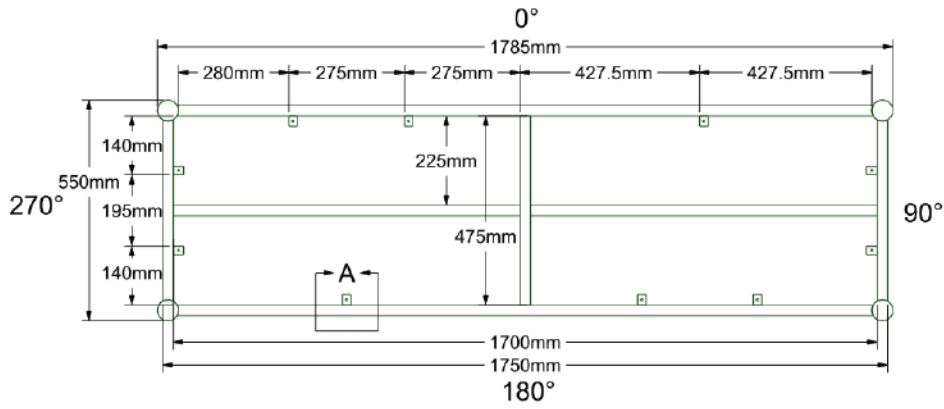
JONCAN™
 GRP SPECIALIST

JONCAN COMPOSITE SDN BHD
 No. 26, Jalan Selatan 3/3,
 Taman Perindustrian Ringan Pulai,
 81300 Skudai, Johor, Malaysia
 Sales Inquiry: +6012- 713 0306
 General Inquiry: +6012- 699 0306

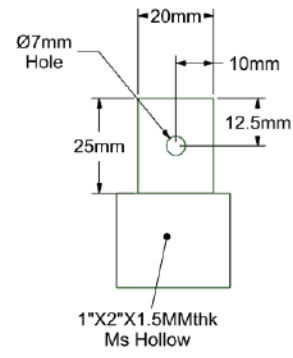
DWG NO: DWG-D2-6 SEATER
 DATE : 1/8/2023
 APPROVED BY: (ASSIGNED) SIZE: A2

SHT:	REV:
1/3	0

TABLE



TOP VIEW



DETAIL A (3MMTHK BRACKET)

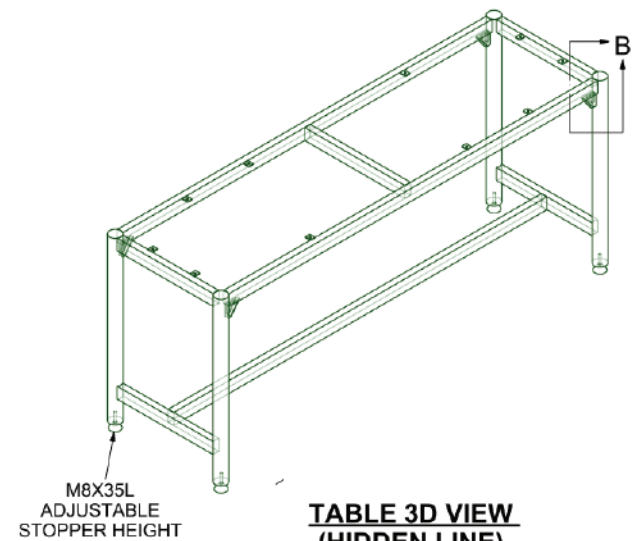
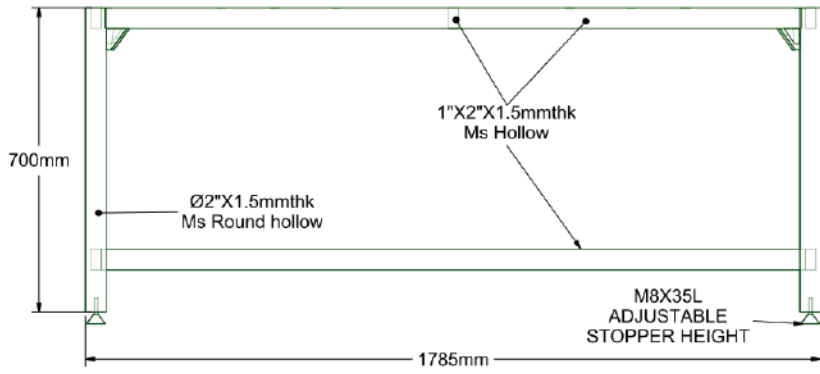
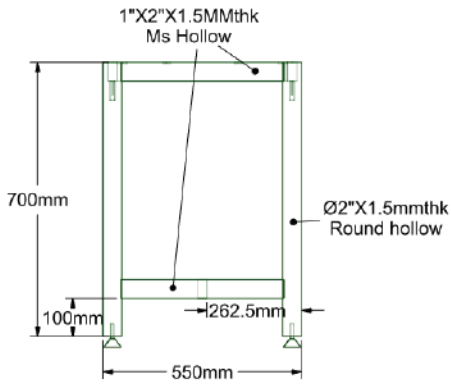


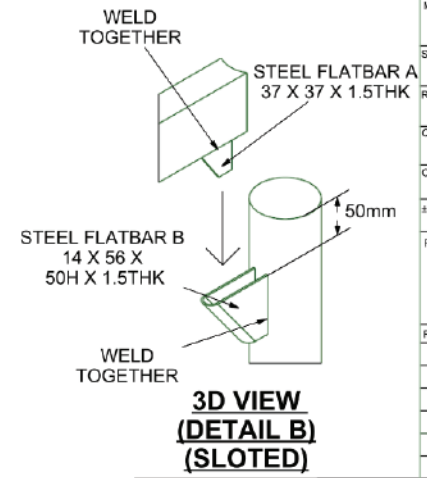
TABLE 3D VIEW (HIDDEN LINE)



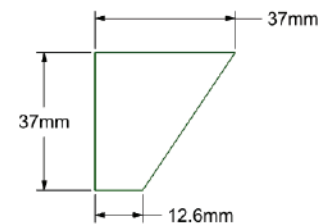
180° VIEW (HIDDEN LINE)



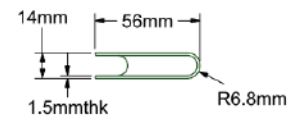
90° VIEW (HIDDEN LINE)



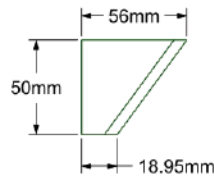
3D VIEW (DETAIL B) (SLOTTED)



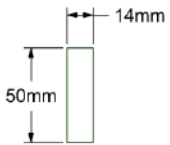
FRONT VIEW (1.5MMTHK STEEL FLATBAR A)



TOP VIEW (1.5MMTHK STEEL FLATBAR B)



FRONT VIEW (1.5MMTHK STEEL FLATBAR B)



SIDE VIEW (1.5MMTHK STEEL FLATBAR B)

REMARK:		
Overall Size:		
MATERIAL :		
SO NO:		
REF NO:		
QTY:		
COLOR :		
± (mm) :		
REMARK:		
REV	DATE	DESCRIPTION

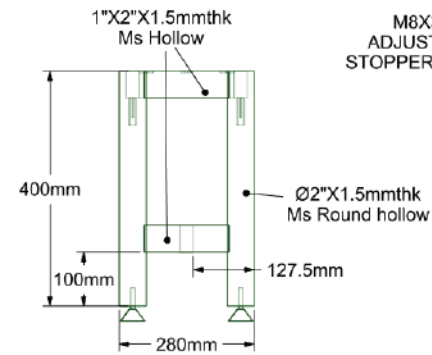
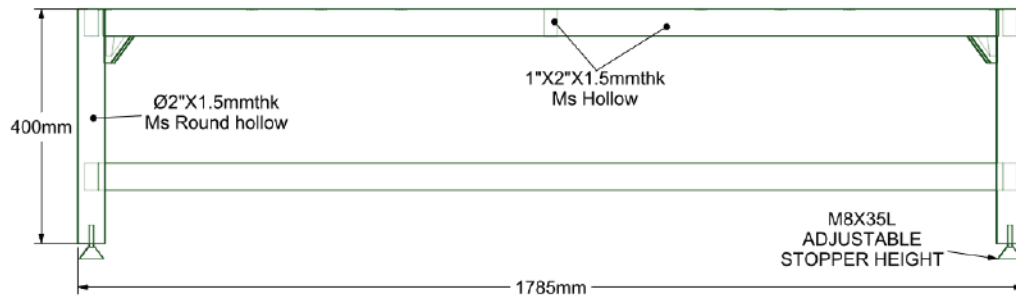
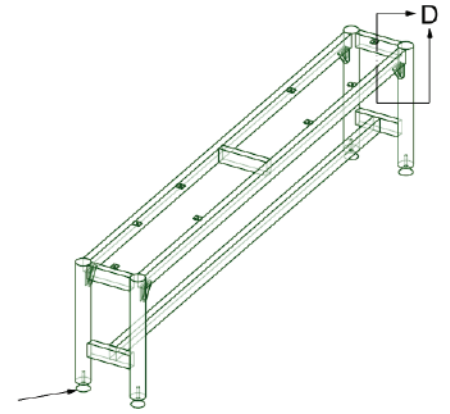
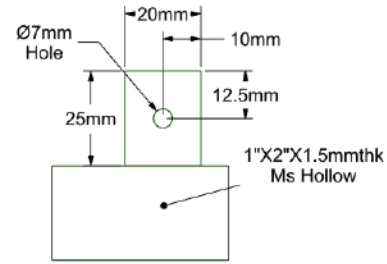
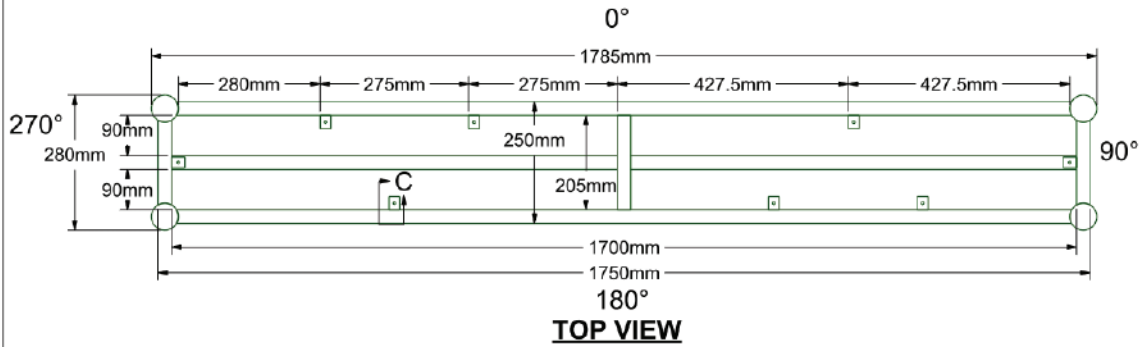
JONCAN™
GRP SPECIALIST

JONCAN COMPOSITE SDN BHD
No. 26, Jalan Selatan 3/3,
Taman Perindustrian Ringan Pulai,
81300 Skudai, Johor, Malaysia
Sales Inquiry: +6012- 713 0306
General Inquiry: +6012- 699 0306

DWG NO: DWG-D2-6 SEATER
DATE : 1/8/2023
APPROVED BY: (ASSIGNED) SIZE: A2

SHT:	REV:
2/3	0

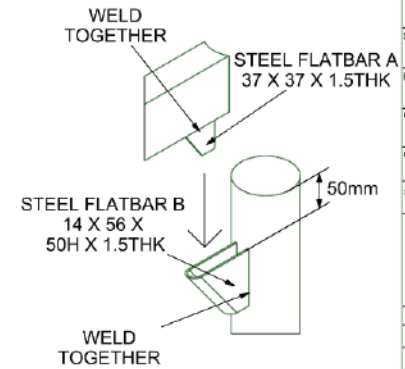
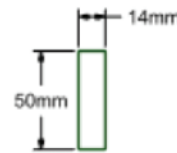
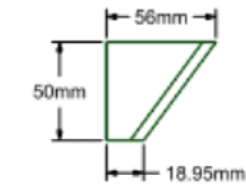
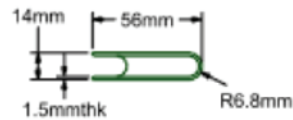
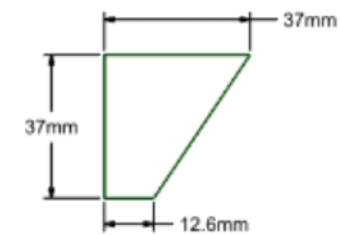
KERUSI



STOOL 3D VIEW (HIDDEN LINE)

180° VIEW (HIDDEN LINE)

90° VIEW (HIDDEN LINE)



REMARK:		
Overall Size:		
MATERIAL :		
SO NO:		
REF NO:		
QTY:		
COLOR :		
± (mm) :		
REMARK:		
REV	DATE	DESCRIPTION

JONCAN™
GRP SPECIALIST

JONCAN COMPOSITE SDN BHD
No. 26, Jalan Selatan 3/3,
Taman Perindustrian Ringan Pulau,
81300 Skudai, Johor, Malaysia
Sales Inquiry: +6012- 713 0306
General Inquiry: +6012- 699 0306

DWG NO: DWG-D2-6 SEATER
DATE : 1/8/2023
APPROVED BY: (ASSIGNED) SIZE: A2

SHT: 3/3
REV: 0