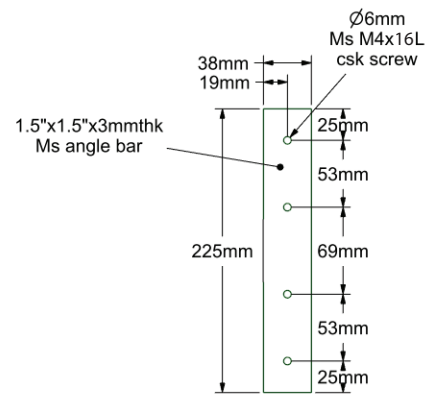
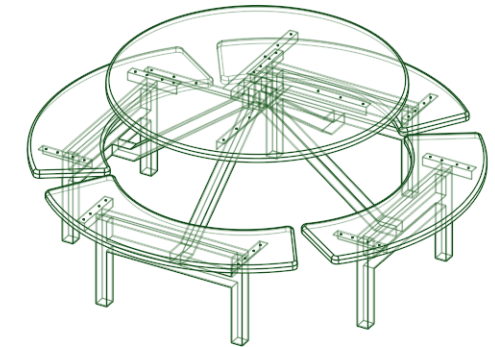


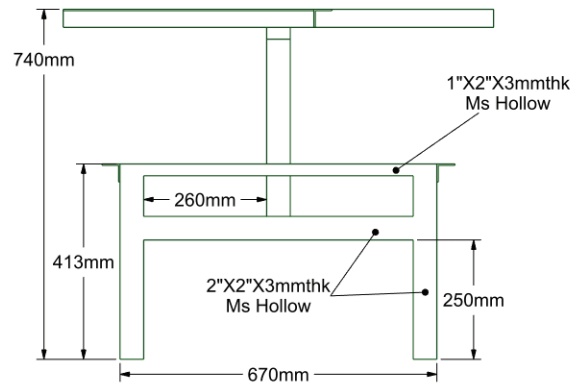
**TOP VIEW
(HIDDEN LINE)**



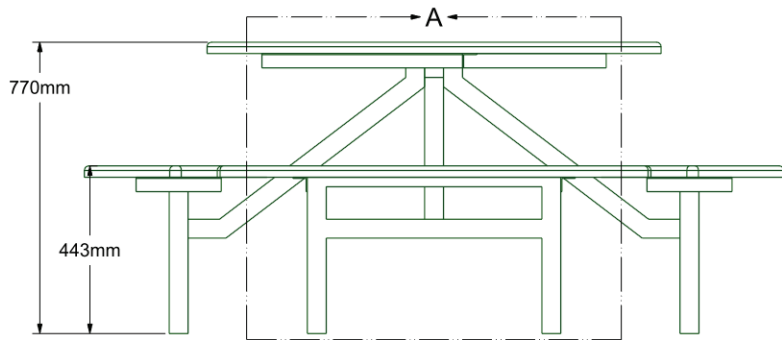
TOP VIEW ANGLE BAR



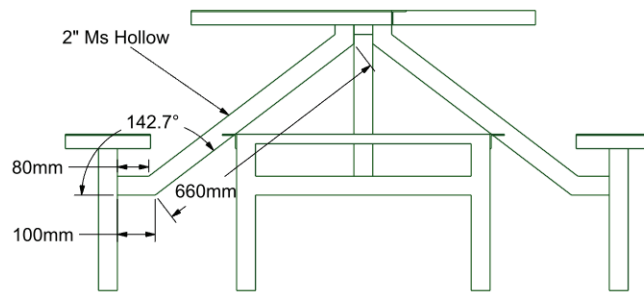
3D VIEW



**DETAIL A
(WITHOUT TABLE)**



FRONT VIEW



SIDE VIEW

REMARK
Ø48"X30mm TABLE
300mmx1160mm(CURVE)x30mm BENCH

REMARK:		
SO NO.		
OVERALL		
TOP COVER THICKNESS.		
BODY THICKNESS.		
BASE COVER THICKNESS.		
MATERIAL :		
QTY:		
COLOR :		
PRODUCT WEIGHT.		
144.68 KG		
REV	DATE	DESCRIPTION

JONCAN™
 GRP SPECIALIST
 JONCAN COMPOSITE SDN BHD
 No. 26, Jalan Selatan 3/3,
 Taman Perindustrian Ringan Pulai,
 81300 Skudai, Johor, Malaysia
 Sales Inquiry: +6012- 713 0306
 General Inquiry: +6012- 699 0306

DWG NO: C10 8 SEATER		SHT:	REV:
DATE : 8/8/2023		1/1	1
APPROVED BY: (ASSIGNED)		SIZE: A2	