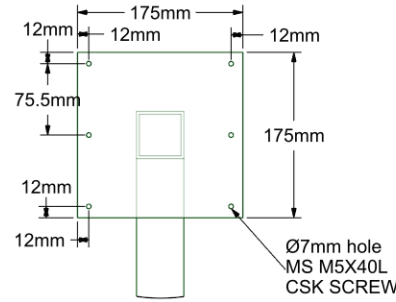
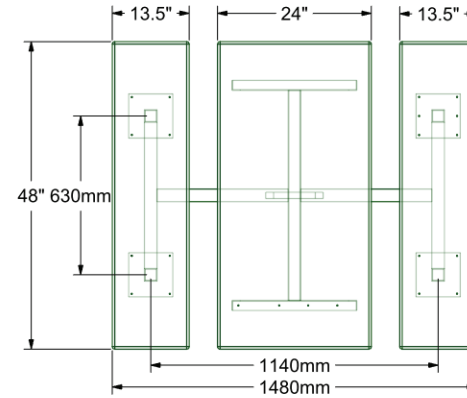


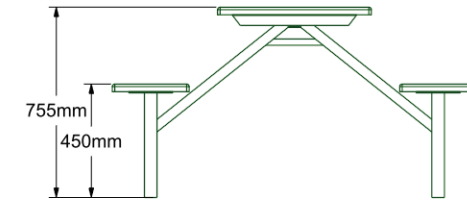
TOP VIEW



**DETAIL A
MS PLATE
175x175x5mm**

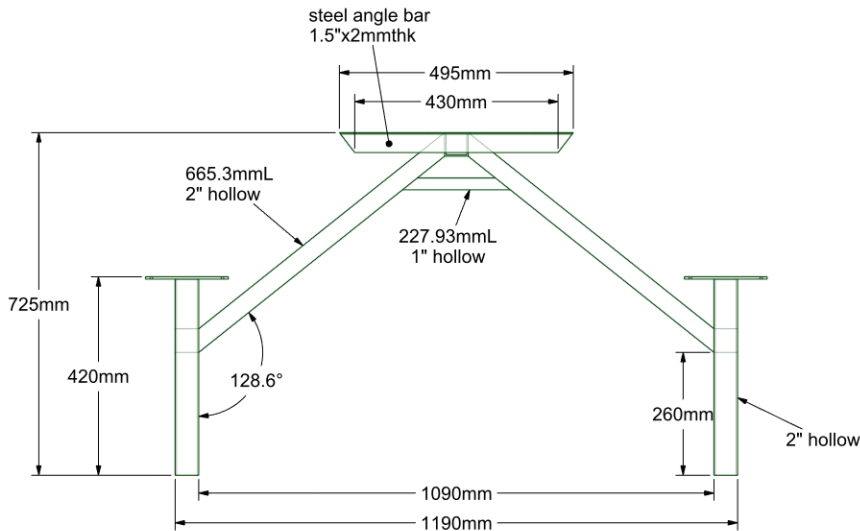


**TOP VIEW
(HIDDEN LINE)**

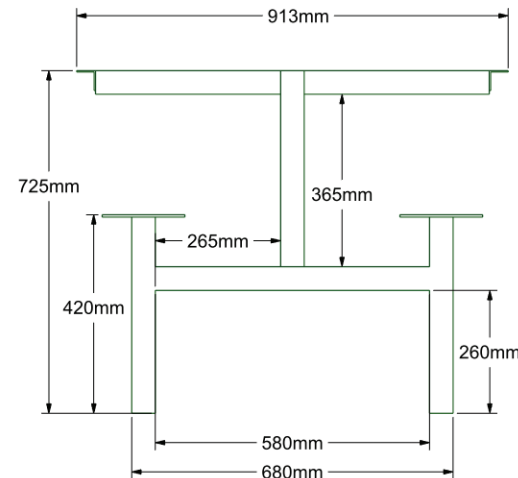


FRONT VIEW

Remark:
24"x48"x30mm Table
13.5"x48"x30mm Bench



**FRONT VIEW
(HIDDEN LINE)
(WITHOUT FRP TABLE)**



**SIDE VIEW
(HIDDEN LINE)
(WITHOUT FRP TABLE)**

REMARK:		
SO NO.		
OVERALL.		
TOP COVER THICKNESS.		
BODY THICKNESS.		
BASE COVER THICKNESS.		
MATERIAL :		
QTY:		
COLOR :		
PRODUCT WEIGHT. 94.16 kg		
REV	DATE	DESCRIPTION

JONCAN™
GRP SPECIALIST

JONCAN COMPOSITE SDN BHD
No. 26, Jalan Selatan 3/3,
Taman Perindustrian Ringan Pulai,
81300 Skudai, Johor, Malaysia
Sales Inquiry: +6012- 713 0306
General Inquiry: +6012- 699 0306

DWG NO: B3- 4 seater
DATE : 31/7/23
APPROVED BY: (ASSIGNED) | SIZE: A2

SHT:	REV:
1/1	0